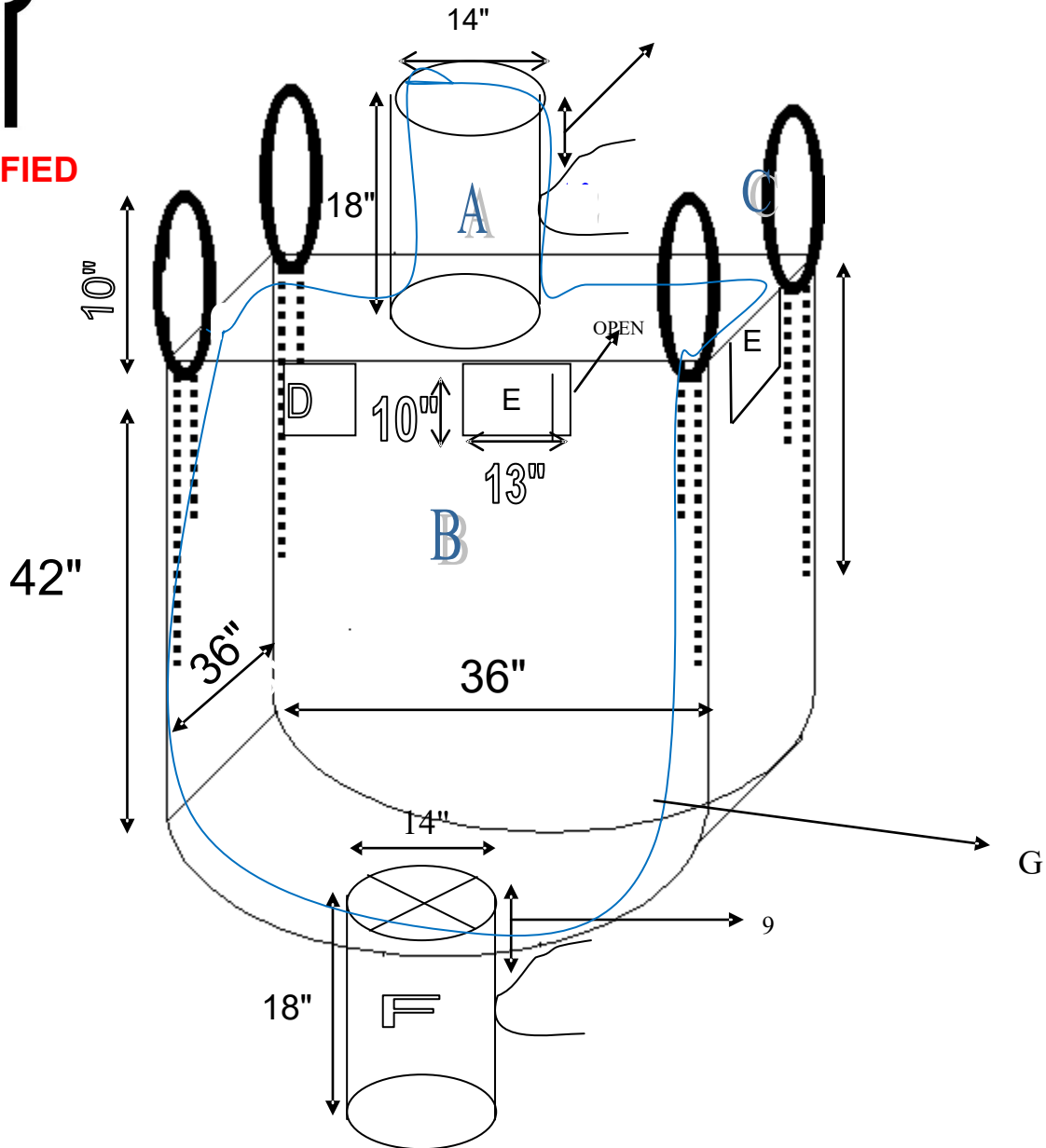
**GFSI CERTIFIED****FOOD GRADE BULK BAG**

AKZ363642USSL 36"X36"X42"

(U-PANEL) 6 OZ UNCOATED

UV TREATED FABRIC

14" X 18", SPOUT TOP WITH 1/2" WEB TIE,

14" X 18", DISCHARGE SPOUT

WITH 1/2" WEB TIE AND STAR PETAL CLOSURE AND ROPE TIE,

W/ FOOD GRADE 3 MIL LINER TABBED ON ALL EIGHT CORNERS,

4 @ 10" LIFTING LOOPS

(1) @ 10" X 14", DOCUMENT POUCH

SWL 3000 LBS, 5:1 S.F.

100% VIRGIN WOVEN POLYPROPYLENE

- A) TOP SPOUT WITH TIE TAPE
- B) BODY-U SHAPE
- C) LIFTING LOOP
- D) BULK PACK DEPOT LABEL
- E) ZIPLOCK POUCH
- F) BOTTOM SPOUT WITH PETAL CLOSURE
- G) LINER