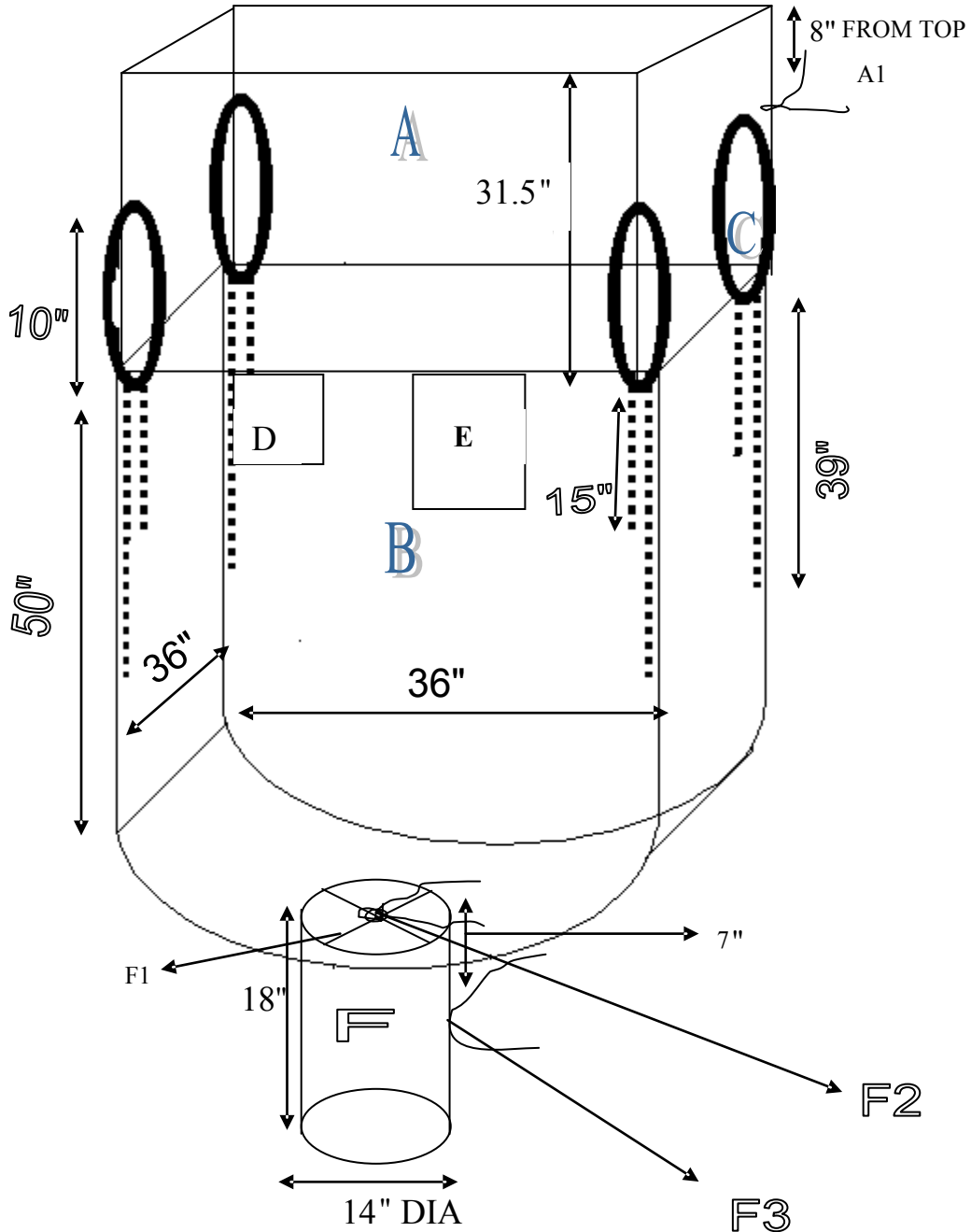


SIFT PROOF SEAMS



- A) DUFFEL TOP
- A1) DUFFEL TOP WITH TIE TAPE.
- B) BODY-U SHAPE
- C) LIFTING LOOP
- D) BULK BAG DEPOT LABEL
- E) DOCUMENT POCKET
- F) BOTTOM SPOUT
- F1) BOTTOM STAR CLOSURE
- F2) BOTTOM SPOUT STAR CLOSURE TIE TAPE
- F3) BOTTOM SPOUT TIE TAPE.

VCZ363650CDS4-SPS 36"X36"X50"
(U-PANEL) 6 OZ. + 1 OZ. COATING
UV TREATED FABRIC
DUFFLE TOP WITH 1/2" TIE STRING
14"DX18"L DISCHARGE SPOUT WITH
STAR PETAL CLOSURE 1/2" WEB TIE
4 @ 10" LIFTING LOOPS
DOUBLE FILLER CORD (SIFT PROOF SEAMS)
DOCUMENT POUCH 10"X14"
SWL 4000 LBS., S.F. 5:1
100% VIRGIN POLYPROPYLENE